



Fixture Type:

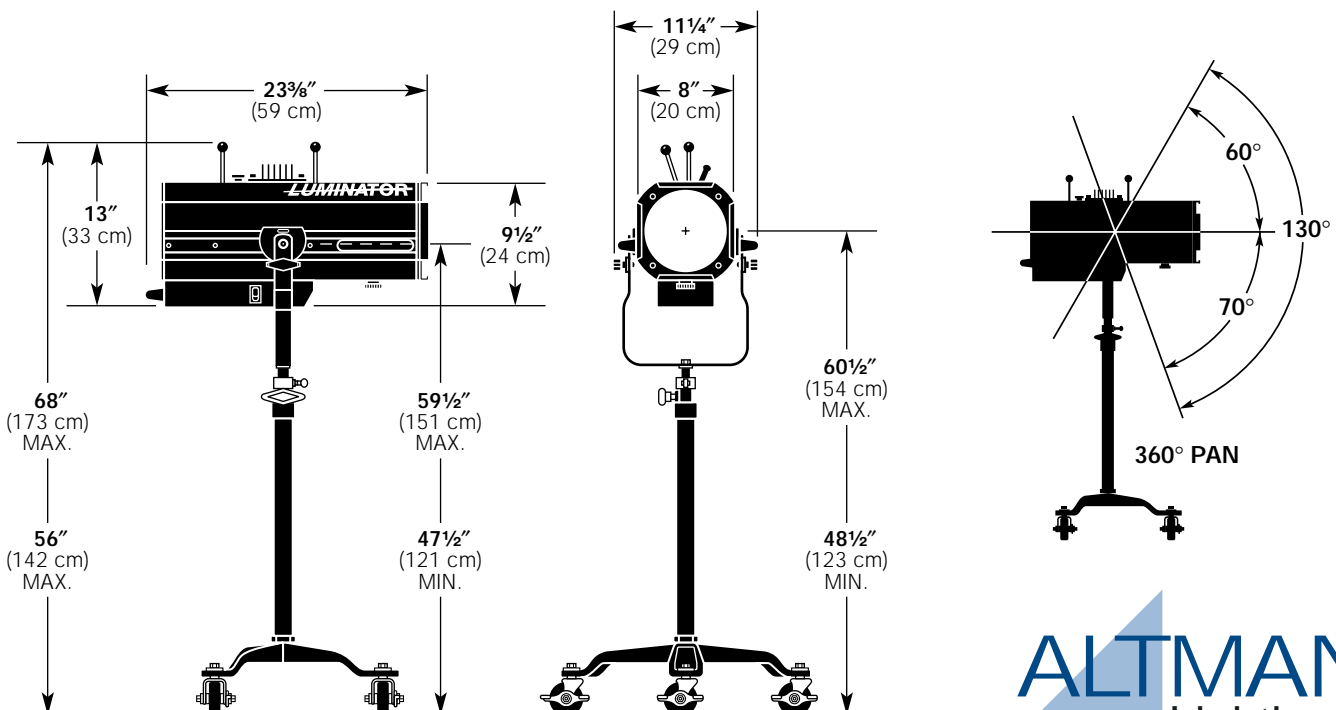
A ruggedly constructed short- to medium-throw follow spot, the Luminator produces a narrow, hard- or soft-edged beam which zooms from 1.3 degrees to 9.3 degrees. With top-mounted iris, color boom, and dimmer control handles, this easy-to-use follow spot is designed to utilize the unique high performance FLE, ENX and FXL quartz-halogen lamps. The luminaire can be used in any application where manual control of a lighting beam is required to follow a performer and to vary beam size, quality and color.

Specifications subject to change without notice.

360/410-WATT QUARTZ HALOGEN LUMINATOR

Features

- Extruded and die cast aluminum construction
- Rugged, compact, and lightweight
- Top operated color boom, iris and dimmer controls
- Six color boomerang
- Dual adjustable lenses
- Positive locking pan and tilt adjustment
- Adjustable castered stand with cable hook included
- High performance lamp included
- Front end accessory holder provided
- UPS shippable
- U.L., c.U.L. and CE listed for 410 watts
- Made in the U.S.A.



360/410-WATT QUARTZ HALOGEN LUMINATOR

Specifications

Housing: Extruded and die-cast aluminum construction.

Materials: Corrosion-resistant materials and hardware.

Yoke: 1/8" flat steel with dual locking-dog tilt handles.

Lenses: Front lens: 6x12 plano convex. Rear lens: 3.5x8 plano convex.

Socket: Miniature 2-pin G5.3; lamp ejector lever provided; tool-free relamping.

Rating: 120 VAC input, 4.0 amps max.

Power Switch: 120 VAC 16-amp illuminated rocker switch.

Cooling: Forced-air via single low-noise fan provided with finger guard.

Transformer: 410VA magnetic, Class B, 82-volt secondary.

Cable: 11 1/2' 18/3 STW provided with male edison plug.

Access Door: Hinged; provides access to lamp for replacement.

Lamp: 410 watts maximum, 82 volt MR-16 type.

Focusing: Dual zoom lens carriers travel on Teflon® and nylon glide bearings along extruded aluminum channels, each lens carrier provided with lock knob.

Iris: 18-leaf, high-grade stainless steel. Top-operated with heat resistant knob.

Color Changer: 6-frame self-canceling color boom allowing single or multiple color insertion into beam path. Tool-free removal.

Dimmer/Douser: Mechanical, heat-resistant three-leaf type. Top-operated with heat resistant knob.

Stand: Three-legged, height adjustable (to 12" maximum), with locking casters. Height-adjustment lock allows for 360° continuous pan. Cable hook also included.

Accessories: Accepts standard 7 1/2" accessories in front-end accessory holder.

Finish: Black epoxy Sandtex, electrostatic application.

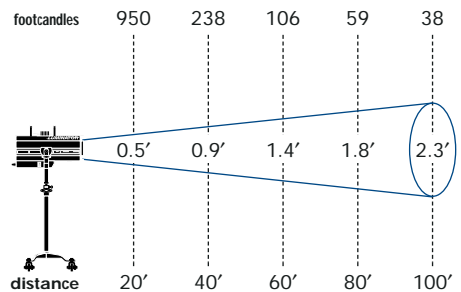
Weight: Approx. 28 lbs. (12.6 Kg) for lamphouse and yoke; approx. 28 3/4 lbs. (12.8 Kg) for stand (base, yoke, and support column). Total net weight approx. 56 3/4 lbs. (25.5 Kg).

ACCESSORIES SUPPLIED WITH LUMINAIRE	
90-FLE	360-Watt 82-Volt Lamp

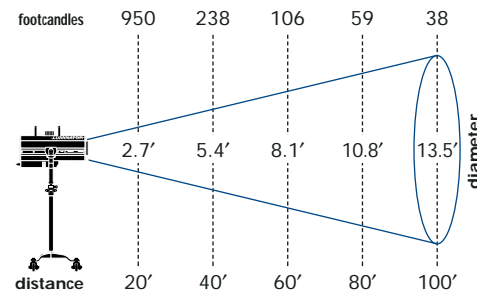
Catalog
Number
LUMINATOR

PHOTOMETRIC DATA WITH FLE LAMP

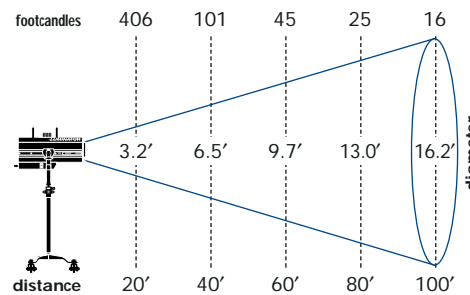
SPOT FOCUS — IRIS 1.3°



SPOT FOCUS — IRIS 7.7°



FLOOD FOCUS — IRIS 9.3°



fixture type	focus	candlepower (cd)	field angle
LUMINATOR	small spot with iris	380,000	1.3°
	spot	380,000	7.7°
	flood	162,227	9.3°

LAMP INFORMATION

watts	volts	ANSI code	color temp. (°K)	rated life (hrs)	correction factor
360	82	FLE	3300	75	1.0
360	82	ENX	3300	75	0.6
410	82	FXL	3300	38	1.1