

G100 Operations Manual



www.lemaitrefx.com



Please Read Carefully Before Operating

Table of Contents

Page 1	Introduction
Page 1	Technical Specifications
Page 2	Warning
Page 3	Operating Procedure
Page 4	Remote and External Control Features
Page 7	Recommended Fluids
Page 8	Maintenance
Page 9	Warranty
Page 10	Safety Precautions.

Water Base Fog Technology

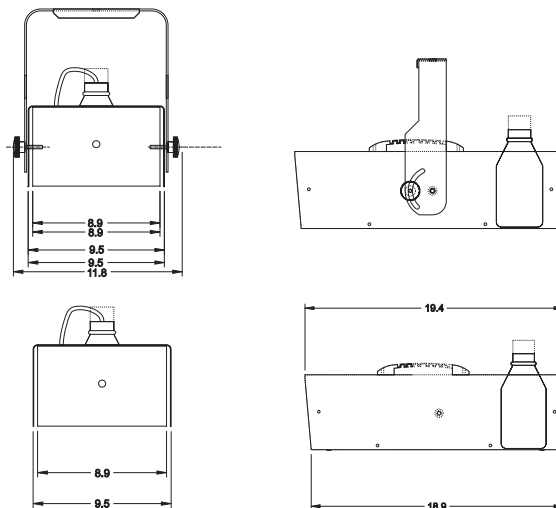
Water Base Fog technology is achieved by pumping a Glycol/Water mixture through a Heat exchanger. The heat exchanger has been heated to the point where at the fog fluid mixture will vaporize.

The fluids own vaporization forces the hot mixture out of the output nozzle where, when it mixes with the ambient air, it forms an opaque aerosol (fog). The fog is made up of tiny droplets of glycol that form around the small particles in the air. The suspended droplets reflect the light, which is why fog will take on the colour of the light illuminating it.

Technical Specifications

Model:	G100		
Type:	Water Base Fog generating system		
Size:	508 x 240 x 161 mm. High (Incl. Handle) 20"x 9 1/2"x 6 1/2" High (Incl. Handle)		
Weight:	10.5 Kilos , 23 Lbs.		
Power Rating:	115 Volt A.C.	50/60 Hz	9 Amps
	220 Volt A.C.	50/60 Hz	3.7Amps

G100 Illustration



www.lemaitrefx.com



Warning

IMPORTANT SAFETY INSTRUCTIONS

**Do not touch or place hands, expose skin,
within 50 cm. of discharge nozzle.**

SAVE THESE INSTRUCTIONS

READ THESE IMPORTANT SAFETY INSTRUCTIONS

WARNING

READ THESE IMPORTANT SAFETY INSTRUCTIONS

**Do not remove the outer case until power has
been**

disconnected from the machine

READ THESE IMPORTANT SAFETY INSTRUCTIONS

**Persons suffering from asthma or allergenic
sensitivity may experience irritation, discomfort,
or
allergic symptoms when exposed to heated
fog effects**

WARNING

**Ensure that this unit is grounded at all times.
Failure to do so may result in serious injury.**

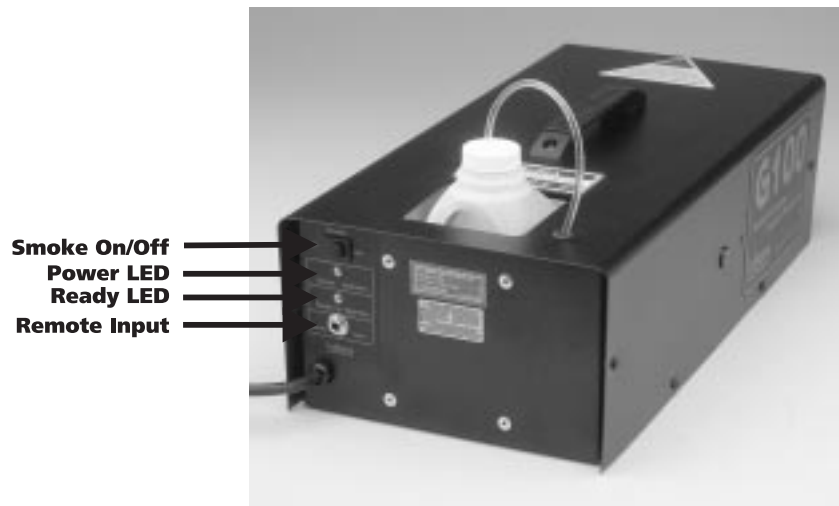
WARNING

**Never use alternative fluids. Toxicity free output
is your responsibility.**

M.S.D.S. Available by request or at www.lemaitrefx.com

Operating Procedure

1. Place 1L. Le Maitre fog fluid jug into jug holder, remove cap and break foil seal. Place the fluid feed pipe into the jug and secure the bottle cap. Only Le Maitre Fog Fluid should be used in your G100. The use of other fluids will void warranty and may lead to block damage and can produce toxic smoke output.
2. After connecting the fluid bottle, the G100 is ready to be connected to the AC power supply. The G100 must only be connected to a mains supply capable of sustaining 15 Amps, and be adequately Grounded. The supply should be 'clean' and free of interference.
3. The L.E.D. on the back of the G100 will indicate the machine is receiving AC power and will indicate when the unit is READY for use.
4. A cold G100 will take approximately seven minutes to heat when first plugged in . The READY indicator L.E.D. will illuminate when the machine is ready to use. Normal re-heat time is approximately one and a half minutes.



TechTip

With a brand new G100, it will be necessary to PRIME fluid into the system to expel any air that may be present in the lines.

(1) Allow machine to heat fully, and Ready LED is illuminated.

(2) Using the Smoke On/Off switch pulse the pump by pressing and depressing the switch at 1 second intervals.

Until primed, the electronic pump will sound louder than in normal use. Allow approximately one minute to fully prime the system. NOTE: Priming is required only when a machine is new or if air has been introduced into the lines when the fluid jug has been replaced.

Remote and External Control Features

The Standard Variflow Remote plugs into the Remote Input located on the rear of the unit.

Standard Variflow Remote

Power LED

Indicates Power is present to the unit and to the Remote.

Ready LED

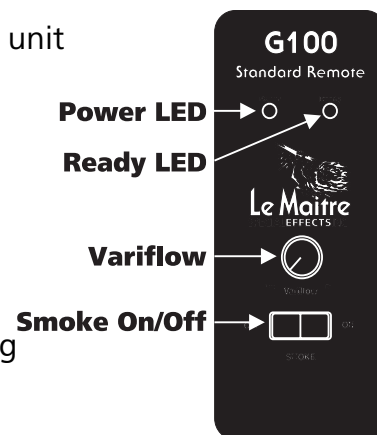
Indicates unit is Ready for operation.

Variflow

Controls the amount of fog being issued.

Smoke On/Off

Stops and Starts Fog issue.



Deluxe Remote Timer Part # CLF 3255

Power LED

Indicates Power is present to the unit and to the Remote.

Ready LED

Indicates unit is Ready for operation.

Duration

Controls the length of time the fog issues when timer is in use.

Interval

Controls the length of time between fog issues when the timer is in use.

Variflow

Controls the amount of fog being issued.

Smoke On/Off

Stops and Starts Fog issue.



To activate the timer mode

- 1.) Ensure the **Smoke** On/Off switch is in the **Off** position.
- 2.) Set the **Interval** to the desired length of time between Fog issues.
- 3.) Set the **Duration** to the desired length of time of Fog Issue.
- 4.) Set the **Variflow** to the desired output level.
- 5.) Set the **Smoke** On/Off switch to **On** to activate the timer cycle

Note

When timer is not in use, the **Duration** should be set to 30 seconds and the **Interval** set to 0 minutes.

TechTip

To prime the unit using your Deluxe Remote Timer:

- (1) Set the **Variflow** control on the remote handset to prime.
- (2) Set **Duration** to one second.
- (3) Set **Interval** to zero minutes.
- (4) Switch the **Smoke** control to **ON**. (Steps 2 & 3 are used with G100 deluxe remote only) This will effect a pulsing fluid flow which will prime the machine correctly.

Until primed, the electronic pump will sound louder than in normal use. Allow approximately one minute to fully prime the system. NOTE: Priming is required only when a machine is new or if air has been introduced into the lines when the fluid jug has been replaced.

Remote Input Pin Assignment

Tip: Positive

Outside: Ground

Recommended Fluids

Fog Fluid

This fluid has been our long standing blend. It is a clean, white, practically odourless fog. It is used for many applications where a cloud of fog is required with a medium hang time.

Long Lasting Fluid

We have had many compliments on our fog fluid but many of our customers would like it to hang longer so we introduced the "Long Lasting Fluid". It is still odourless but a little less white than our "Fog Fluid". It hangs in the air 2 - 3 times longer than the above "Fog Fluid".

Quick Dissipating

We have been mixing this for some time for our special effects people working in the movies. We have decided that there are many other applications for this fluid. When using this in the LSX or LSG you will find it works very well if you are having problems with the smoke rising too quickly. It has also been used for quick burst-of-steam effects, nitrogen bursts, etc. It will dissipate at about twice the rate of the "Molecular Fluid".

Extra Quick Dissipating:

It is very similar to the "Quick Dissipating" but dissipates at about twice the rate of the "Quick Dissipating".

Maxi Fluid:

Maxi Fog Fluid was developed for our high volume users requiring an excellent balance of price and performance without compromise.

All of our Fog Fluids are water base and leave NO residue. Permanent damage will occur if Haze Fluid is used in G100 for any length of time.



Maintenance

Exterior:

The casing of the G100 is steel with a powder paint coating. To clean simply wash with mild soap and warm water.

Fluid Pick up:

Periodically check to ensure that the fluid pick up filter screen is in place and clean from debris.

Warranty

Warranty:

All warranty is one year parts and labour unless specified and is on manufacturer defect only. Overuse or poor maintenance is not accepted. Le Maitre fluids must always be used. Any trace of other fluids will automatically void **ALL** warranties. Accept no substitutions as there are no exceptions to this rule. Proof of purchase or proof of sale must always accompany any warranty returns. An RA (return authorization) number must be noted on the outside of any box returned to our facilities. Any packages without a clearly marked RA number will not be accepted by our receiving department. Freight on warranty items are freight prepaid to our facility and we will prepay freight back to your facility after repair, by the most economical means available. Should you require the item express-returned, then you are responsible for any difference in freight cost.

Return Policy:

Return of any product must be done within 30 days of purchase. The package must be returned freight prepaid and the RA number clearly marked on the outside of the box. A restocking charge of up to 25% may be levied. Only credits are issued to the dealers account. Any product not returned within 30 days is considered purchased.

Warning:

Le Maitre Special Effects Inc. considers all it's product to be safe for use in the application it was intended. Le Maitre Special Effects takes no responsibility for misuse or incorrect use. Always refer to equipment owners manual for proper use.

Safety Precautions

1. Ensure that operation of the machine is supervised by suitably trained and authorised personnel.
2. Do not modify the machine or use a machine which has been damaged in any way.
3. Allow sufficient air circulation around the machine at all times.
4. Protect the G100 from direct weather effects and wet locations.
5. Only use fluids recommended by the Manufacturer.
6. Do not continue to produce Fog output in an enclosed area when visibility is reduced below 50cm.
7. Avoid direct Fog output continuously at persons, structure or objects within close proximity of the discharge nozzle.
8. Ensure that adequate exhausting arrangements are available in the event of an emergency.
9. Do not place hands, or exposed skin within the first 50cm of the discharge nozzle at any time during fog production.