

H175 Operations Manual



Please Read Carefully Before Operating

Table of Contents

Page 1	Introduction
Page 2	Warning
Page 3	Technical Specifications
Page 4	Operating Procedure
Page 5	Remote Mode Selector
Page 5	Remote Handset Operations
Page 6	Remote Handset LED Indicators
Page 7	Remote and External Control Features
Page 7	Maintenance
Page 8	Recommended Fluid
Page 8	Warranty
Page 9	Safety Precautions.
Page 9	Accessories
Page 10	H175 Industrial 20 l. Pail Option

Introduction

The H175 is a Microprocessor Controlled, Water Base Haze generating system.

Microprocessor Control

The Microprocessor is responsible for the following control elements -

- Monitoring the heat exchanger temperature.
- Driving the heater within the heat-exchanger.
- Driving the fluid pump unit in a pulse mode, relating fluid flow to temperature
- Accepting and manipulating data from the Flow, Duration and Interval controls.
- Accepting data from the Haze Switch.
- Monitoring the heater and pump power switching devices.
- Monitoring the voltage supply.
- Ready Status, Heater Status, temperature .

Water Base Haze Technology

Water Base Haze technology is achieved by pumping a Glycol/Water mixture through a Heat exchanger. The heat exchanger has been heated to the point where at the haze fluid mixture will vaporize.

The fluids own vaporization forces the hot mixture out of the output nozzle where, when it mixes with the ambient air, it forms an opaque aerosol (haze). The haze is made up of tiny droplets of glycol that form around the small particles in the air.

Warning

IMPORTANT SAFETY INSTRUCTIONS

**Do not touch or place hands, expose skin,
within 50 cm. of discharge nozzle.**

**SAVE THESE INSTRUCTIONS
READ THESE IMPORTANT SAFETY INSTRUCTIONS**

WARNING

**READ THESE IMPORTANT SAFETY INSTRUCTIONS
Do not remove the outer case until power has been
disconnected from the machine**

**READ THESE IMPORTANT SAFETY INSTRUCTIONS
Persons suffering from asthma or allergenic
sensitivity may experience irritation, discomfort, or
allergic symptoms when exposed to heated
Haze effects**

WARNING

**Ensure that this unit is grounded at all times.
Failure to do so may result in serious injury.**

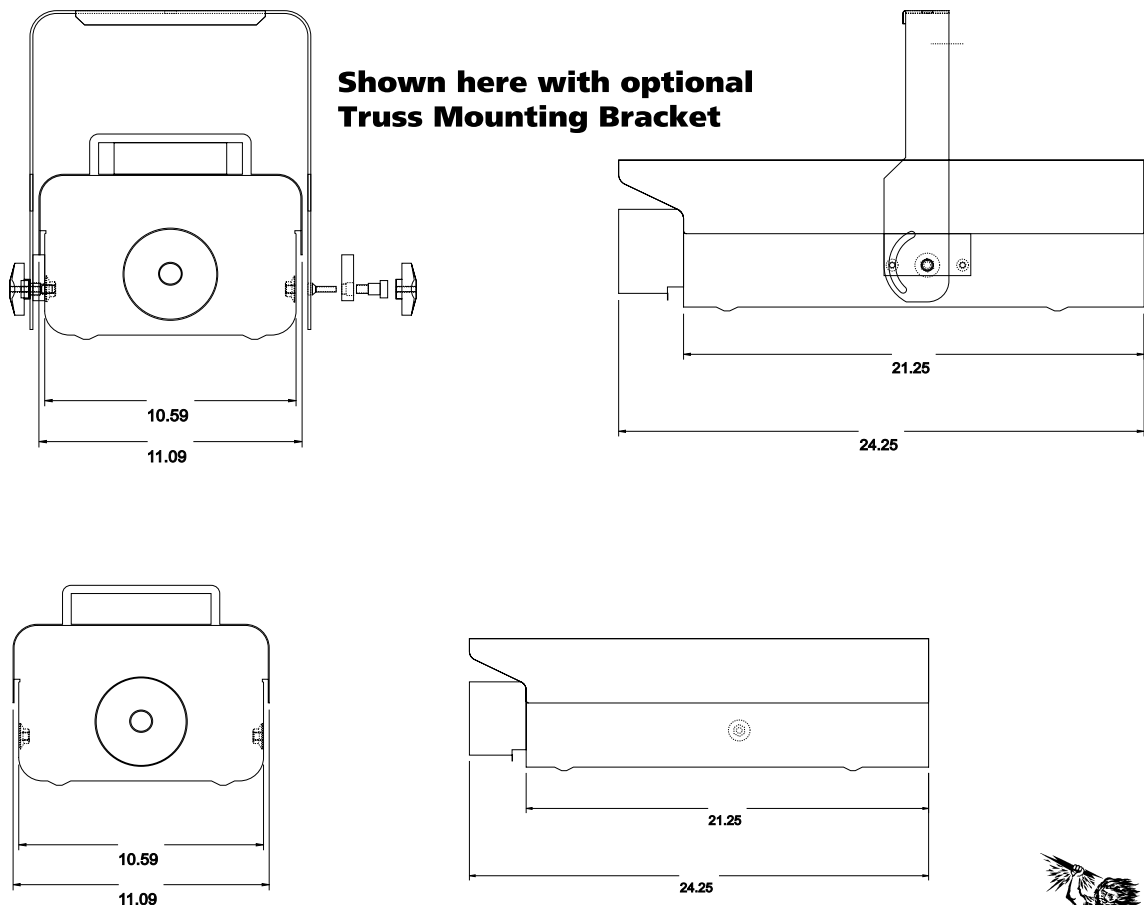
WARNING

**Never use alternative fluids. Toxicity free output
is your responsibility.**

Technical Specifications:

Model:	H175 Continuous Flow Haze Micro-Processor Control Management
Type:	Water Base Haze generating system
Size:	615 x 258 x 235 mm. 24 1/4 "x11 1/4"x9 1/4" High (Incl. Handle)
Weight:	18 Kilos , 40 Lbs.
Power Rating:	110 Volt A.C. 50/60 Hz 12 Amps 240 Volt A.C. 50/60 Hz 6 Amps
Facilities:	Detachable Remote

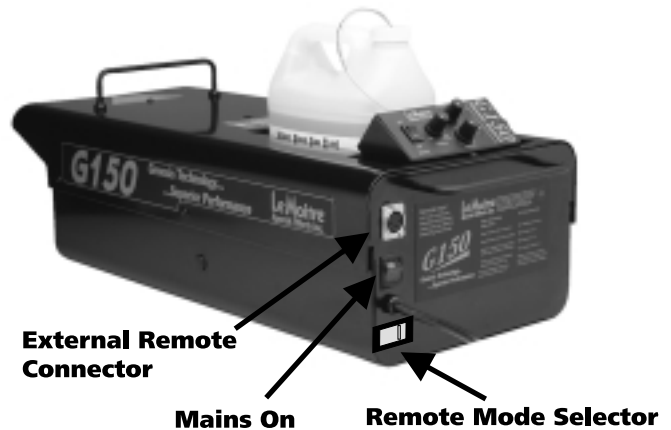
H175 Illustration



Operating Procedure

- 1) The H175 must only be connected to a mains supply capable of sustaining at least 15 Amps, and be adequately Grounded. The supply should be 'clean' and free of interference.
- 2) Place 4L. Le Maitre haze fluid jug into jug holder, remove cap and break foil seal. Place the fluid feed pipe into the jug and secure the bottle cap.
- 3) Connect the remote handset supplied with the machine, to the connector which is located inside the remote cradle recess of the Haze machine. To locate the remote in a different location simply use a 3 conductor mic cable and use the XLR mounted on rear panel of unit for easier access.

4) Activate the **Mains On** switch located on the rear panel. The Mains On switch will illuminate to indicate the presence of power, the **Power** indicator on the remote handset will also illuminate. If the Power indicator of the remote handset does not illuminate, ensure the **Remote Mode Selector** is in the **regular remote** position. (For more details see further in this manual).



- 5) After a few minutes, the **Ready** indicator on the remote handset will start to flash, indicating that the Haze machine is ready to operate but is still in heating mode. Haze is available at this point.
- 6) It will now be necessary to **Prime** fluid into the system to expel any air that might be present. The **Variflow** control on the remote handset should be set to Full (Prime) position, and the **Duration** control should be set to 30 seconds, and the **Interval** control set to 0 minutes.

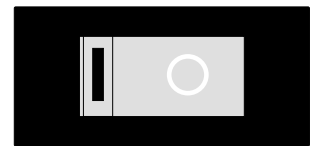


H175 Standard Remote

7) Activating the **Haze** switch will effect a pulsing fluid flow which will Prime the machine correctly.

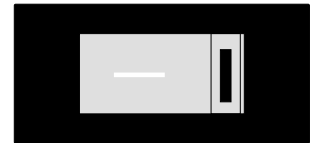
Remote Mode Selector

To operate DMX the Remote Selector Mode Switch must be in this position



DMX Remote Mode

To operate Standard Remote the Remote Selector Mode Switch must be in this position



Regular Remote Mode

Remote Handset Operations

1. If you are using a standard remote handset ensure that the remote mode selector switch, located on rear panel, is in the regular remote position. If you are using a **DMX** remote handset, ensure that the remote mode selector switch is in the DMX position. We will cover DMX remote operation further in this manual.
2. The Haze output time is set using the 'Duration' control. 1 to 30 seconds, and the time between successive Haze outputs is set using the 'Interval' control. 0 to 20 minutes. Continual flow can be achieved by 'Duration' at setting 30 and 'Interval' setting 0. Please note that the 'Smoke' switch must be turned off for at least 4 seconds before new Haze output settings can be reactivated.

Remote Handset LED Indicators

The **H175** Remote Handset was designed to indicate operation modes and to indicate fault codes that will help in diagnosing the problem with the unit. These are as follows:

Single flashing output: Indicates unit is ready to operate but still in heating mode, Haze is available at this point. Not full Haze output.

Triple flash: Indicates an **over-temperature** situation, call your local Le Maitre dealer for instructions. An over-temperature situation occurs when the microprocessor has sensed a temperature that is in excess of a safe operating temperature.

Quadruple flash: Indicates pump triac failure. Call your local Le Maitre dealer for instructions.

Note:

To simplify the reading of the flashing fault codes make sure the Haze switch on the Remote Handset is in the Off position. Count the number of flashes of the Ready light, and see explanation of each fault code above.

Service Note:

Should there be a continuous triple 'flash' of either led on the remote handset, and the unit will not reset, then the H175 should be returned for service.

Note:

Keep a check on fluid levels, and make sure that the filter screen on the fluid supply pipe is clean. If blocked, this will restrict fluid flow and will cause problems.

Never use alternative fluids. Toxicity free output is your responsibility.

Remote and External Control Features

External Remote Connector

The standard Remote Handset may be removed from the machine, and operated effectively away from the issue site. The maximum recommended cable length is 150 Feet.

Pin Out

Regular Remote Mode

Pin 1. Remote (Input)
Pin 2. GND.
Pin 3. +12V

D.M.X. Remote Mode

Pin 1. 0-10V.(Input)
Pin 2. GND
Pin 3. +12V

Maintenance

Exterior:

The casing of the H175 is steel with a powder paint coating. To clean simply wash with mild soap and warm water.

Fluid Pick up:

Periodically check to ensure that the fluid pick up filter screen is in place and clean from debris.

Heat Exchanger:

With normal use we do not recommend flushing or cleaning the heat exchanger, with the use of genuine Le Maitre fluids. Using high quality Le Maitre fluid should result in a long heat exchanger life. (See warranty policy later in this manual).

Recommended Fluids

Regular Haze

The "Regular" Haze is a water based formula, and gives a quicker result with less operation time of the H175. Ideal for medium size rooms and cutting down on operational costs.

Warranty

Warranty:

All warranty is one year parts and labour unless specified and is on manufacturer defect only. Overuse or poor maintenance is not accepted. Le Maitre fluids must always be used. Any trace of other fluids will automatically void **ALL** warranties. Accept no substitutions as there are no exceptions to this rule. Proof of purchase or proof of sale must always accompany any warranty returns. An RA (return authorization) number must be noted on the outside of any box returned to our facilities. Any packages without a clearly marked RA number will not be accepted by our receiving department. Freight on warranty items are freight prepaid to our facility and we will prepay freight back to your facility after repair, by the most economical means available. Should you require the item express-returned, then you are responsible for any difference in freight cost.

Return Policy:

Return of any product must be done within 30 days of purchase. The package must be returned freight prepaid and the RA number clearly marked on the outside of the box. A restocking charge of up to 25% may be levied. Only credits are issued to the dealers account. Any product not returned within 30 days is considered purchased.

Warning:

Le Maitre Special Effects Inc. considers all it's product to be safe for use in the application it was intended. Le Maitre Special Effects takes no responsibility for misuse or incorrect use. Always refer to equipment owners manual for proper use.

Safety Precautions

1. Ensure that operation of the machine is supervised by suitably trained and authorised personnel.
2. Do not modify the machine or use a machine which has been damaged in any way.
3. Allow sufficient air circulation around the machine at all times.
4. Protect the H175 from direct weather effects and wet locations.
5. Only use fluids recommended by the Manufacturer.
6. Do not continue to produce Haze output in an enclosed area when visibility is reduced below 50cm.
7. Avoid direct Haze output continuously at persons, structure or objects within close proximity of the discharge nozzle.
8. Ensure that adequate exhausting arrangements are available in the event of an emergency.
9. Do not place hands, or exposed skin within the first 50cm of the discharge nozzle at any time during Haze production.

Accessories

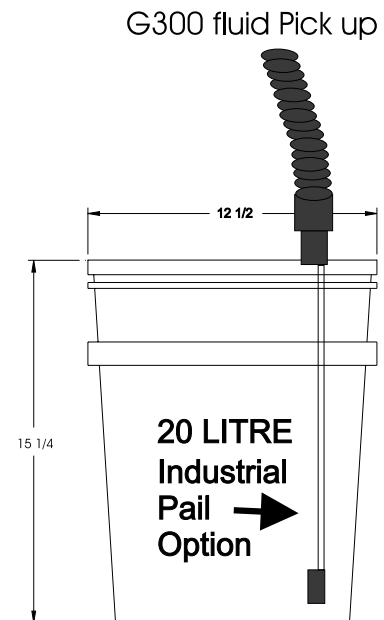
Model	Description
CLF 2630	Truss Adaptor
CLF 3320	DMX Interface
CLF 3325	H175 Remote Only (Cable not Included)
CLF 2607	20 Litre Pail Adaptor
CLP PC025	XLR - XLR 25 Foot Remote Cable
CLF 3350	H175 Standard RoadCase
CLF 3375	H175 Deluxe RoadCase

H175 Industrial 20 L. Pail Option

1. Follow these steps for easy setup.
 - a) Remove cap from 20L pail (this will not be used, so you may want to put it in a safe place for use later on.), and remove inner cap if equipped.
 - b) Examine the end of the hose from your machine and make sure the filter is in place and free from obstruction.
 - c) Now place the hose into the pail's pour spout and snap the black fitting into place.

2. It is now necessary to prime fluid into the system by following these steps:
 - a) Set Flow Rate fully clockwise
 - b) Set duration to 30 sec.
 - c) Set interval to 0 min.
 - d) Switch the Haze control to ON

This will produce a pulsing fluid flow which will prime the machine correctly. Please allow one minute to ensure proper priming.



3. Dry Contact show control terminals have been added to your H175 remote to facilitate control through central control system. One set of Normally open contacts are all that is required.
4. Your custom machine is now ready for regular use.

