

# ALTMAN

Catalog number:  
1000Q



Specifications may vary from time of printing.

1000 Watt

## 1000Q follow spot

A ruggedly constructed medium throw follow spot, the 1000Q produces a narrow, hard or soft edged beam. With easy to use controls mounted at the rear of the luminaire, the beam can be adjusted from spot to flood at any distance. The beam may be further attenuated by using the integral iris for spot size adjustment and the framing shutters for top and bottom edge framing in the flood focus position. The 1000Q is designed for operation only with high performance quartz halogen lamps. The luminaire can be used in any application where manual control of a lighting beam is required to follow a performer and to vary beam size, quality and color.

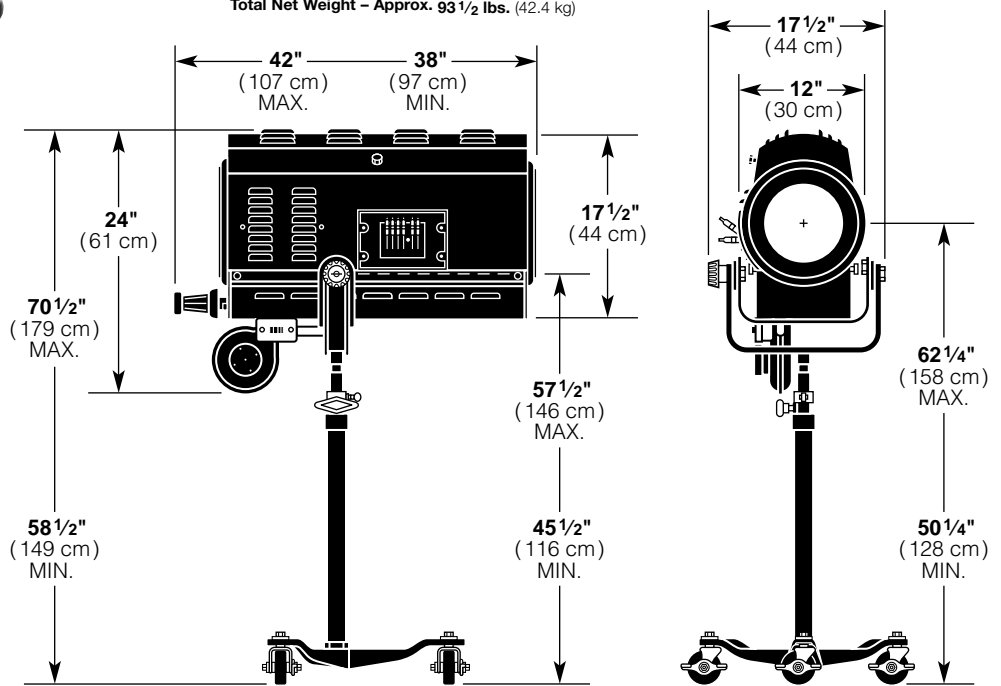
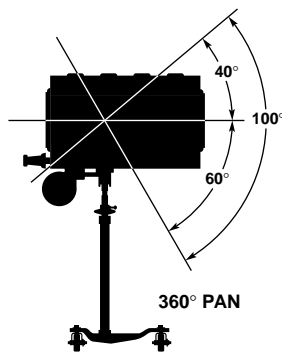
### Features

- Rear operated controls
- Integral iris and framing shutters
- Six color boomerang with dowser
- Integral 25' power cable
- Sheet steel and die cast aluminum construction
- Adjustable castored stand with cable hook included
- Positive locking pan and tilt adjustment
- U.L. and c.U.L. listed for 1000 watts

### Weights:

Lamphouse - Approx. 57 lbs. (25.8 kg)  
Stand & Yoke - Approx. 14 lbs. (6.4 kg)  
Base - Approx. 22 1/2 lbs. (10.2 kg)  
Total Net Weight - Approx. 93 1/2 lbs. (42.4 kg)

### PAN AND TILT ANGLES:



FRONT VIEW

# ALTMAN

THE QUALITY OF LIGHT

Altman Stage Lighting Company, Inc.  
57 Alexander Street, Yonkers, NY 10701

914-476-7987

212-569-7777

FAX: 914-963-7304

## 1000Q Follow Spot

### Specifications

**LAMPHOUSE:** Sheet steel and die-cast aluminum construction.

**MATERIALS:** Construction employs all corrosion-resistant materials and hardware.

**RATING:** Input – 120 VAC, 9.1 amps. (220-240 VAC, 50/60 Hz unit available.)

**LAMP:** 1000 watt ANSI Code: FEL.

**SOCKET:** Altman G9.5 medium two-pin, axially mounted. Toolless relamping.

**CABLE:** 25' 14/3 SOW provided with male edison plug.

**POWER SWITCH:** 120 VAC, 15 amp toggle snap switch.

**COOLING:** Forced air cooling; one fan and one blower, both provided with finger guards.

**YOKE:** 2" steel channel bar stock.

**LENSES:** All lenses are high purity crown glass (white plate). Front lens: 8 x 20 plano convex. Rear lens: 4.5 x 12 plano convex.

**REFLECTOR:** Alzak aluminum, ellipsoidal design.

**SHUTTERS:** 2 leaf, 18 gauge stainless steel, rear operated.

**IRIS:** 18 leaf, high grade stainless steel, rear operated.

**COLOR CHANGER:** 6 frame friction type color boom allows for single or multiple colors to be inserted into beam path. Color changer removable without the use of tools.

**DOWSER:** Allows for instantaneous blackout and incorporated into color boom.

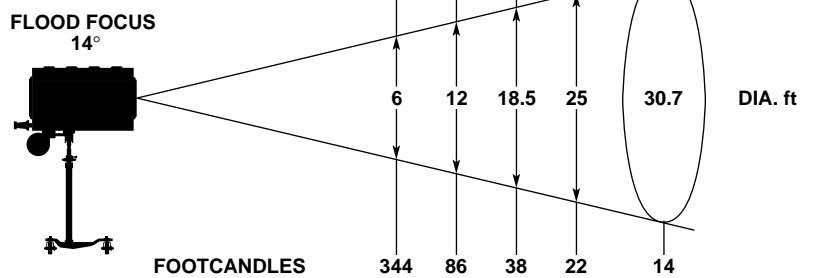
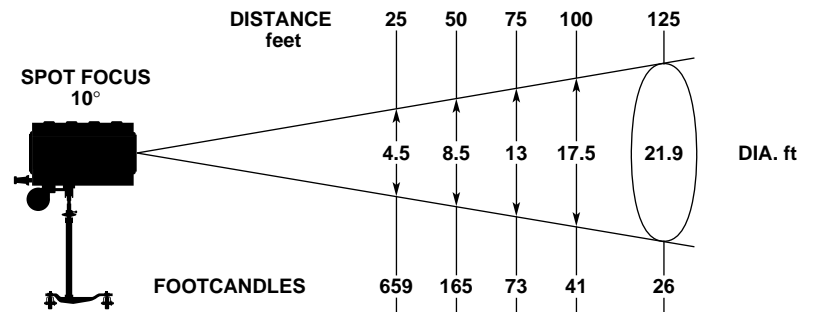
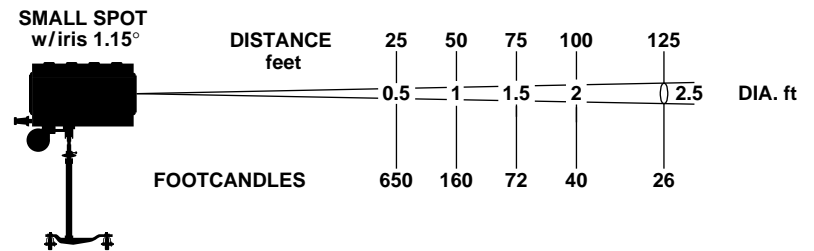
**ACCESS DOOR, TOP:** Hinged, allows access to lamp for replacement, to lenses and reflector for cleaning, and to carriage rods for cleaning and lubricating.

**FOCUSING, FIXTURE:** Front lens carrier travels along zinc plated steel guide rails and is rear operated.

**STAND:** Three legged stand is height adjustable (12" maximum), each leg provided with wheel and wheel lock. Height adjustment lock allows for 360° continuous pan. Cable hook also included.

**FINISH:** Baked black enamel, electrostatic application.

**WEIGHT:** Approx. 57 lbs. for lamphouse, approx. 14 lbs. for stand and yoke, & approx. 22 1/2 lbs. for base. Total net weight approx. 93 1/2 lbs.



PHOTOMETRIC DATA FOR FEL LAMP

1000Q PERFORMANCE CHART WITH FEL LAMP				
Fixture Type	Focus	Candlepower (Candela)	Beam Angle (Degrees)	Field Angle (Degrees)
1000Q	Small Spot w/ Iris	412,000	1.2°	1.2°
	Spot	412,000	8.5°	10.0°
	Flood	215,000	13.0°	14.0°

LAMP DATA					
Watts	ANSI Code	Manufacturer Lamp Code	Color Temp (°K)	Rated Life (Hours)	Rated Lumens
1000	FEL	Q1000T4/CL	3200	300	27,500