

# ALTMAN

Catalog number:  
**COMET**

360/410 Watt

## Comet follow spot

A ruggedly constructed medium to long throw follow spot, the Comet produces a narrow, hard or soft edged beam which zooms from 2.3 degrees to 12.2 degrees. With top mounted iris, shutter, and dimmer control handles, this easy to use follow spot is designed to use the unique high performance FLE, ENX and FXL quartz halogen lamps. The Comet can be used in any application where manual control of a lighting beam is required to follow a performer and to vary beam size, quality and color.

### Features

- Top operated framing, iris, and dimmer controls
- Uses high performance low wattage lamps
- Spring loaded self-canceling color boom with dowser
- Sheet steel and die cast aluminum construction
- Adjustable castored stand with cable hook included
- Removable 25' power cable
- Dual adjustable lenses
- Positive locking pan and tilt adjustment
- U.L. and c.U.L. listed for 410 watts

### Weights:

Lamphouse – Approx. 55 lbs. (24.9 kg)

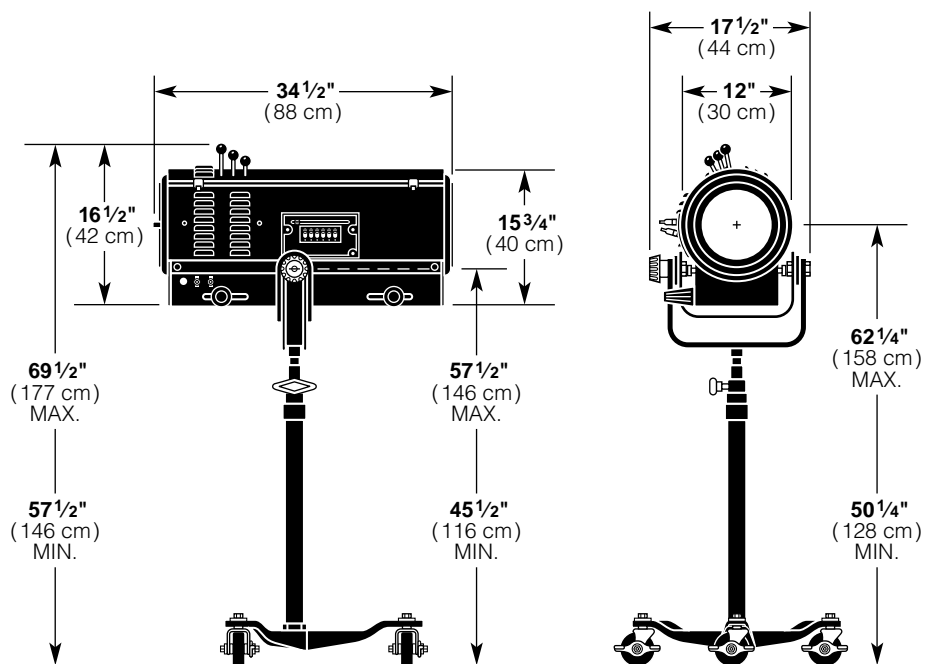
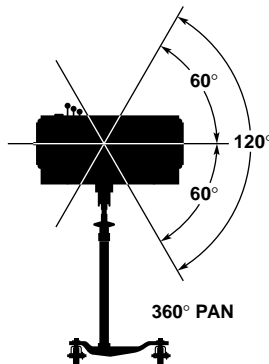
Stand & Yoke – Approx. 14 lbs. (6.4 kg)

Base – Approx. 22 1/2 lbs. (10.2 kg)

Total Net Weight – Approx. 91 1/2 lbs. (41.5 kg)

Specifications may vary from time of printing.

### PAN AND TILT ANGLES:



FRONT VIEW

# ALTMAN

THE QUALITY OF LIGHT

Altman Stage Lighting Company, Inc.  
57 Alexander Street, Yonkers, NY 10701

914-476-7987

212-569-7777

FAX: 914-963-7304

## Specifications

**LAMPHOUSE:** Sheet steel and die-cast aluminum construction.

**MATERIALS:** Construction employs all corrosion-resistant materials and hardware.

**RATING:** Input – 120 VAC, 4.0 amps max. (220-240 VAC, 50/60 Hz units available.)

**LAMP:** 410 watts maximum, 82 volt MR-16 type.

**SOCKET:** Miniature 2-pin, G5.3. Lamp ejector level provided, toolless relamping.

**CABLE:** Detachable 25' 14/3 SOW provided with male edison plug.

**TRANSFORMER:** 410VA magnetic, Class B, 82 volt secondary.

**CONTROL SWITCHES:** Two 120 VAC, 20 amp toggle switches provided for POWER and LAMP.

**CIRCUIT PROTECTION:** 7 amp, magnetothermal, push-button resettable circuit breaker.

**COOLING:** Forced air cooling: two low noise fans, both provided with finger guards.

**YOKE:** 2" steel channel bar stock.

**LENSES:** All lenses are high purity crown glass (white plate). Front lens: 8 x 20 plano convex. Rear lens: 4.5 x 7.4 plano convex.

**SHUTTERS:** 2 leaf, 18 gauge stainless steel. Top operated, provided with heat resistant knob.

**IRIS:** 18 leaf, high grade stainless steel. Top operated, provided with heat resistant knob.

**COLOR CHANGER:** 6 frame, self canceling color boom allows for single or multiple colors to be inserted into beam path. Color changer removable without the use of tools.

**DOWSER:** Allows for instantaneous blackout and incorporated into self canceling color boom.

**DIMMER:** Mechanical, heat resistant brass, three leaf type. Top operated, provided with heat resistant knob.

**ACCESS DOOR, REAR:** Hinged, allows access to lamp for adjustment or replacement.

**ACCESS DOOR, TOP:** Hinged, allows access to lenses for cleaning and carriage rods for cleaning and lubricating.

**FOCUSING, LAMP:** Fully adjustable with three alignment screws.

**FOCUSING, FIXTURE:** Dual zoom lens carriers travel along zinc plated steel guide rails, each lens carrier provided with lock knob.

**STAND:** Three legged stand is height adjustable (12" maximum), each leg provided with wheel and wheel lock. Height adjustment lock allows for 360° continuous pan. Cable hook also included.

**FINISH:** Baked black enamel, electrostatic application.

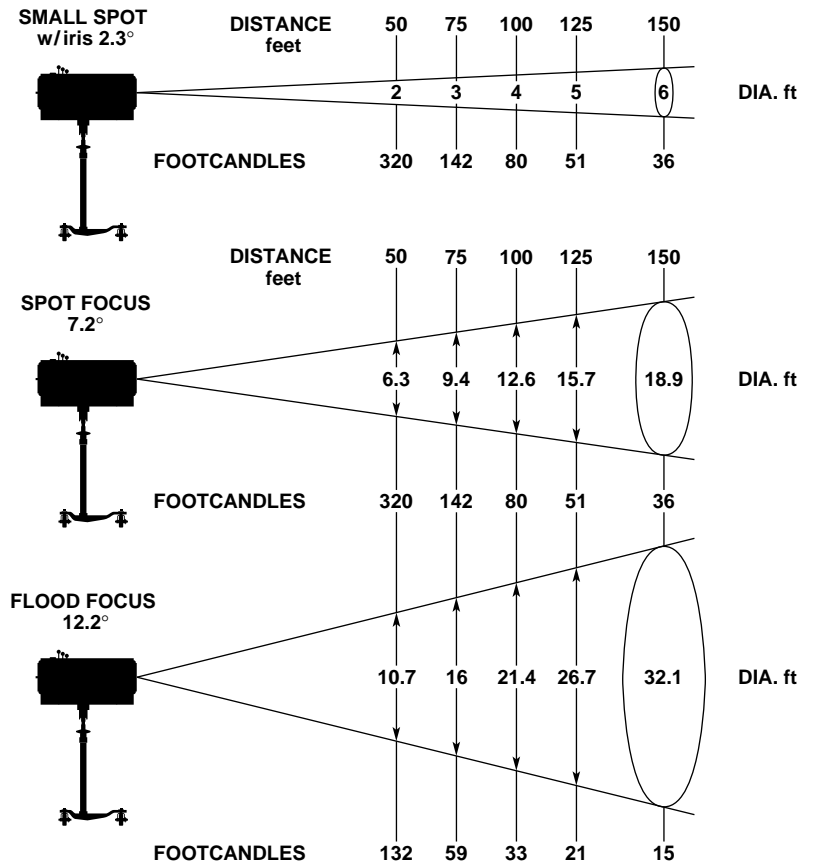
**WEIGHT:** Approx. 55 lbs. for lamphouse, approx. 14 lbs. for stand and yoke, & approx. 22 1/2 lbs. for base. Total net weight approx. 91 1/2 lbs.

## Accessories

Supplied with luminaire

360 Watt, 82V, MR-16 Lamp (FLE)

## Comet Follow Spot



PHOTOMETRIC DATA FOR FLE LAMP

COMET PERFORMANCE CHART WITH FLE LAMP				
Fixture Type	Focus	Candlepower (Candela)	Beam Angle (Degrees)	Field Angle (Degrees)
COMET	Small Spot w/ Iris	800,000	2.3°	2.3°
	Spot	800,000	5.1°	7.2°
	Flood	330,000	7.6°	12.2°

LAMP DATA					
Watts	Volts	ANSI Code	Color Temp (°K)	Rated Life (Hours)	Correction Factor
360	82	FLE	3300	75	1.0
360	82	ENX	3300	75	.60
410	82	FXL	3300	38	1.1