

# ALTMAN

Catalog number:  
**LUMINATOR**



Specifications may vary from time of printing.

360/410 Watt

## Luminator follow spot

A ruggedly constructed short to medium throw follow spot, the Luminator produces a narrow, hard or soft edged beam which zooms from 1.3 degrees to 9.3 degrees. With top mounted iris, color boom, and dimmer control handles, this easy to use follow spot is designed to utilize the unique high performance FLE, ENX and FXL quartz halogen lamps. The Luminator can be used in any application where manual control of a lighting beam is required to follow a performer and to vary beam size, quality and color.

### Features

- Top operated color boom, iris, and dimmer controls
- Uses high performance low wattage lamps
- Six color boomerang
- Extruded and die cast aluminum construction
- Rugged, compact, and lightweight
- Adjustable castored stand with cable hook included
- Front end accessory holder provided
- Dual adjustable lenses
- Positive locking pan and tilt adjustment
- U.L. and c.U.L. listed for 410 watts
- Can be shipped via UPS

#### Weights:

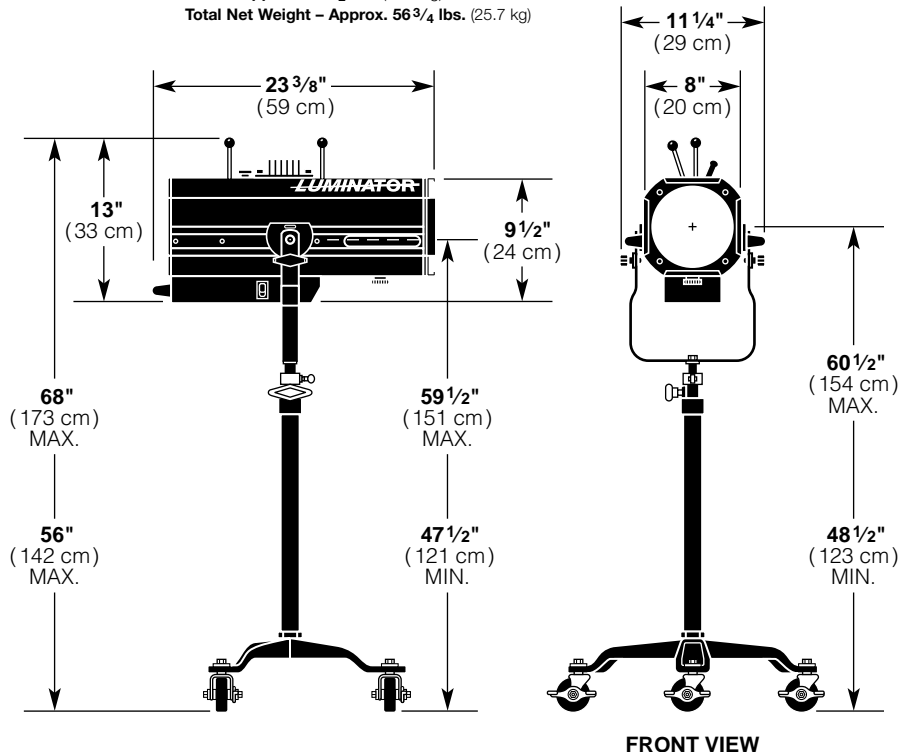
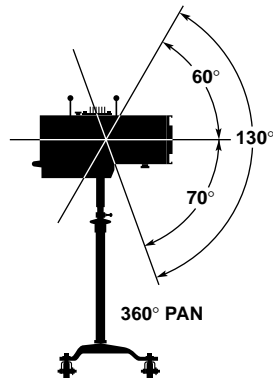
Lamphouse & Yoke – Approx. 28 lbs. (12.7 kg)

Stand – Approx. 6 1/4 lbs. (2.8 kg)

Base – Approx. 22 1/2 lbs. (10.2 kg)

Total Net Weight – Approx. 56 3/4 lbs. (25.7 kg)

#### PAN AND TILT ANGLES:



# ALTMAN

THE QUALITY OF LIGHT

Altman Stage Lighting Company, Inc.  
57 Alexander Street, Yonkers, NY 10701

914-476-7987

212-569-7777

FAX: 914-963-7304

# ALTMAN

Catalog number:  
**LUMINATOR**

## Luminator Follow Spot

### Specifications

**LAMPHOUSE:** Extruded and die-cast aluminum construction.

**MATERIALS:** Construction employs all corrosion-resistant materials and hardware.

**RATING:** Input – 120 VAC, 4.0 amps max.

**LAMP:** 410 watts maximum, 82 volt MR-16 type.

**SOCKET:** Miniature 2-pin, G5.3. Lamp ejector lever provided, toolless relamping.

**CABLE:** 11 1/2' 18/3 ST provided with male edison plug.

**TRANSFORMER:** 410VA magnetic, Class B, 82 volt secondary.

**POWER SWITCH:** 120 VAC, 16 amp illuminated rocker switch.

**COOLING:** Forced air cooling via single low-noise fan, provided with finger guard.

**YOKE:** 1/8" flat steel with dual locking dog tilt handles.

**LENSES:** Front lens: 6 x 12 plano convex.  
Rear lens: 3.5 x 8 plano convex.

**IRIS:** 18 leaf, high grade stainless steel. Top operated, provided with heat resistant knob.

**COLOR CHANGER:** 6 frame friction type color boom allows for single or multiple colors to be inserted into beam path. Color changer removable without the use of tools.

**DIMMER/DOWSER:** Mechanical, heat resistant three leaf type. Top operated, provided with heat resistant knob.

**ACCESS DOOR:** Hinged, allows access to lamp for replacement.

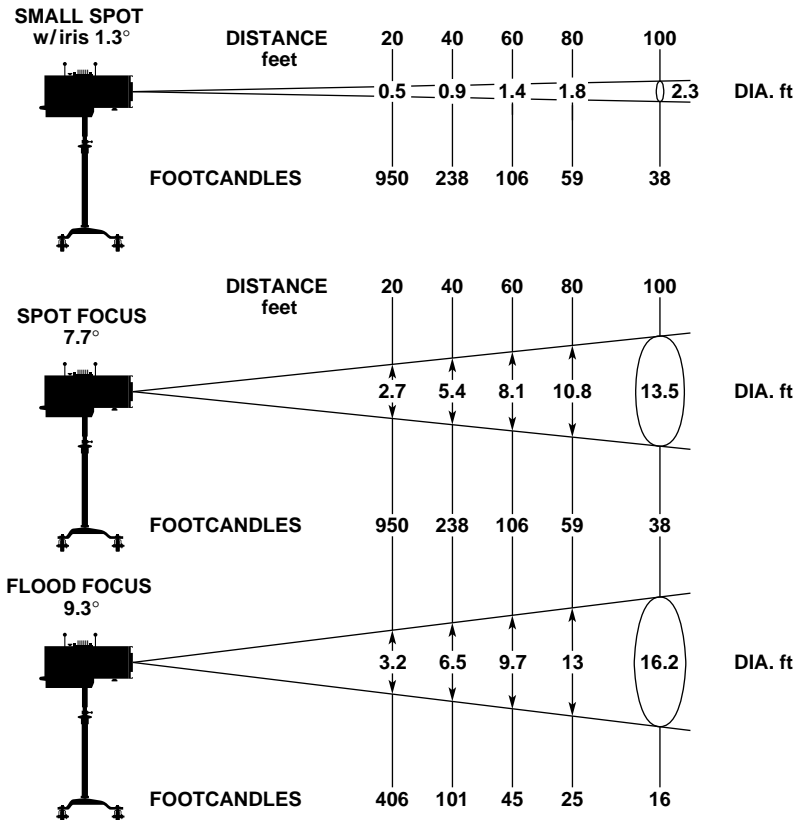
**FOCUSING:** Dual zoom lens carriers travel on Teflon and nylon glide bearings along extruded aluminum channels, each lens carrier provided with lock knob.

**STAND:** Three legged stand is height adjustable, each leg provided with wheel and wheel lock. Height adjustment lock allows for 360° continuous pan. Cable hook also included.

**FINISH:** Baked black enamel, electrostatic application.

**ACCESSORIES:** Accepts standard 7 1/2" accessories in front end accessory holder.

**WEIGHT:** Approx. 28 lbs. for lamphouse and yoke, approx. 6 1/4 lbs. for stand, & approx. 22 1/2 lbs. for base. Total net weight approx. 56 3/4 lbs.



PHOTOMETRIC DATA FOR FLE LAMP

LUMINATOR PERFORMANCE CHART WITH FLE LAMP			
Fixture Type	Focus	Candlepower (Candela)	Field Angle (Degrees)
LUMINATOR	Small Spot w/ Iris	380,000	1.3°
	Spot	380,000	7.7°
	Flood	162,227	9.3°

LAMP DATA					
Watts	Volts	ANSI Code	Color Temp (°K)	Rated Life (Hours)	Correction Factor
360	82	FLE	3300	75	1.0
360	82	ENX	3300	75	.60
410	82	FXL	3300	38	1.1

The **LUMINATOR** Follow Spot may be ordered with a compact, collapsible stand in place of the standard castered stand. This professional stand features a wide, tri-leg, no rock folding base, sure-grip feet, and a telescoping support column. It is constructed of rugged, lightweight materials and weighs approximately 10 lbs. The catalog number for the LUMINATOR with collapsible stand is **LUMINATOR-C**.

# ALTMAN

THE QUALITY OF LIGHT

Altman Stage Lighting Company, Inc.  
57 Alexander Street, Yonkers, NY 10701

914-476-7987

212-569-7777

FAX: 914-963-7304