

Radiance Hazer

Operator's Manual

Table of Contents

| | |
|---------------------------------------|----------|
| Introduction | 3 |
| Warning | 3 |
| Safety Precautions | 3 |
| Recommended Fluid | 3 |
| Technical Specifications | 4 |
| Technical Drawings | 4 |
| Operating Procedure | 5 |
| Stand Alone Operation | 5 |
| Operation with Hand Remote | 5 |
| DMX Operation | 5 |
| Maintenance Procedure | 6 |
| Warranty | 7 |
| Contact Information | 7 |

Introduction

Ultratec Special Effects Radiance Haze Machine is a major advancement in Water Based Haze Technology. Once again, Ultratec Special Effects is setting new standards that all other Haze Machines will be measured against. Features include: Built-In DMX that controls both the Haze Output and the Internal Fan. This combination offers excellent Haze Control and Even Dispersion. The Radiance can also be operated by an Optional Remote or by utilizing the Onboard Variable Settings. Additional features include an IDC removable Power Cable and Multi-use Bracket. The Radiance uses only Ultratec Special Effects Neutron or Luminous 7 Haze Fluid which is a proven fluid that offers the best in Low Consumption with Superior Visual Hang Time. It can accommodate the various sizes (2L and 4L) of the Ultratec Fluid Containers.



Warning

Important Safety Instructions:

1. Do not touch, place hands or expose skin within 20" (50cm) of the discharge nozzle.
2. Do not remove the outer case.
3. Persons suffering from asthma or allergenic sensitivity may experience irritation, discomfort or allergic symptoms when exposed to fog effects.
4. Ensure that this unit is grounded at all times. Failure to do so may result in serious injury.
5. Use Ultratec Special Effects Neutron or Luminous 7 Water Base Haze Fluid **ONLY**

M.S.D.S. available at www.ultratecfx.com

Safety Precautions

1. Ensure that any operation of the machine is supervised by suitably trained and authorized personnel.
2. Do not modify the machine or use a machine which has been damaged in any way.
3. Allow sufficient air circulation around the machine at all times.
4. Protect the machine from direct weather effects and wet locations. Suitable for dry locations only.
5. Only use Neutron Water Base Haze Fluid by Ultratec Special Effects.
6. Do not continue to produce haze in an enclosed area when visibility is reduced below 20" (50cm).
7. Avoid direct haze output continuously at persons, structures or objects within close proximity of the discharge nozzle.
8. Ensure that adequate exhausting arrangements are available in the event of an emergency.
9. Do not place hands or exposed skin within the first 20" (50cm) of the discharge nozzle at any time during fog production.
10. Haze effects can trigger smoke alarms and detectors. Please take suitable precautions to prevent false alarms.

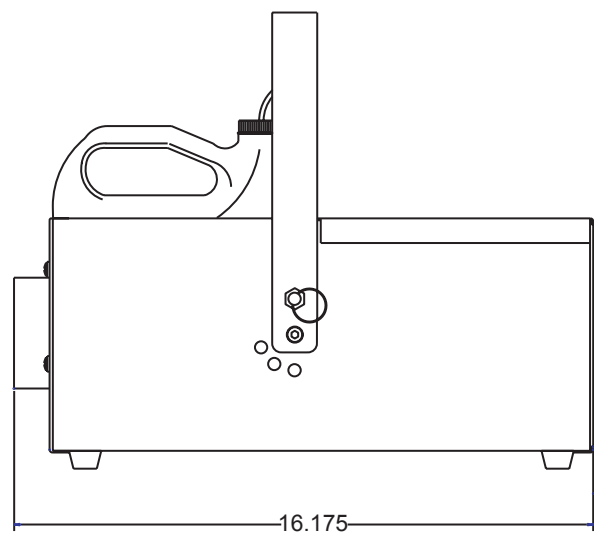
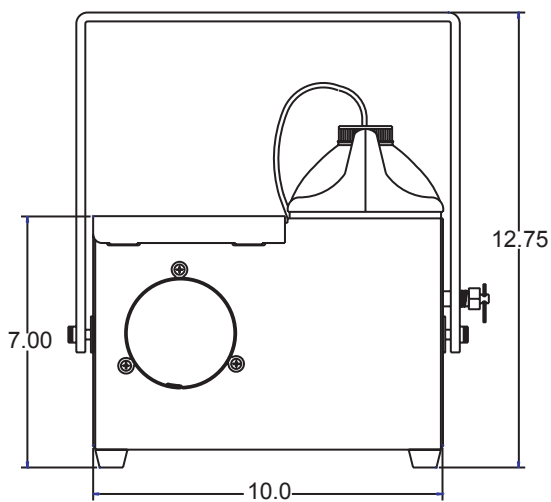
Recommended Fluid

Ultratec Special Effects Neutron Haze Fluid / Luminous 7 Haze Fluid: This fluid was specifically designed to be used in our Radiance Haze Machine. This water-based fluid creates an evenly dispersed haze that is dry and long lasting without leaving any residue. Neutron and Luminous 7 Haze Fluid has a high concentration of an active ingredient that allows for low fluid consumption and is completely safe.

Technical Specifications

| | | |
|----------------------|---|---------|
| Model: | Radiance Hazer | |
| Part Number: | CLF2460 - 120Volt CLF2462 - 220-240Volt | |
| Length: | 16.5in | 41.91cm |
| Width: | 11in | 27.94cm |
| Height: | 7in | 18cm |
| Net Weight: | 28lbs | 12.7kg |
| Power Rating: | 120 Volt A.C. 50/60 Hz. 8 Amps. 220-240 Volt A.C. 50/60 Hz. 5 Amps. | |
| Fluid: | Ultratec Special Effects Neutron Water Base Haze Ultratec Special Effects Luminous 7 Water Base Haze Consumption - 27 - 380 cc/ hour (output can be further reduced by using the Interval Timer) | |
| Features: | 5-Pin USITT DMX 512 Protocol Truss Mount/ Angle Floor Stand IDC Removeable Power Cable | |

Technical Drawings



Operating Procedure

Stand Alone Operation

1. Insert a 2 or 4 Litre Jug of Ultratec Special Effects Neutron or Luminous 7 Haze Fluid into the fluid jug holder.
2. Remove the cap and break the foil seal. Insert the fluid pickup tube into the jug and tighten the lid. Ensure the fluid filter located at the end of the tube sits at the lowest end especially if the machine is not mounted level.
3. An optional Versa Fan can be controlled at the same rate as the internal fan. Plug a matching voltage fan into the U-Ground (120 volt) or Lockable Volex Connector (220-240 volt). It will now vary with the internal fan control.
4. The Haze Rate and Fan Control is limited to 8 steps plus OFF for the assist fan and the haze rate. The DMX switches are used to select the desired operation. The 'Hundreds' switch must be set to 6 before the unit is turned on. This starts the unit in stand-alone mode. This mode is indicated by the valid DMX light flashing. The 'Tens' switch controls the haze rate. '0' is off, 1-8 runs from low to full (9 is the same level as 8). For minimum Flow Rate use DMX or Optional Hand Remote Control. The 'Ones' switch controls the assist fan in the same way, 1-8 is low to full. The fan has a minimum setting and should always run when the power is applied. The fan only speeds up when haze is issued.
5. Plug the unit into a suitable power source. Turn the main power switch on and it will illuminate if power is present. The valid DMX light should also now be flashing. The heat up time is approximately 7 minutes before haze can be produced. The Green LED indicates "Heating" when "Flashing" and "Ready" when LED is "Solid". A three flash pattern indicates an over temperature error.

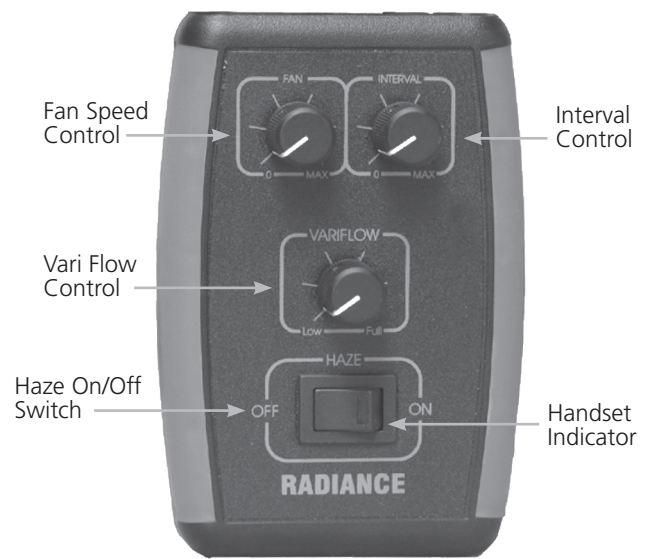
Operation with Hand Remote

1. Insert a 2 or 4 Litre jug of Ultratec Special Effects Neutron or Luminous 7 Haze Fluid into the fluid jug holder.
2. Remove the cap and break the foil seal. Insert the fluid pickup tube into the jug and tighten the lid. Ensure the fluid filter located at the end of the tube sits at the lowest end especially if the machine is not mounted level.
3. An optional Versa Fan can be controlled at the same rate as the internal fan. Plug a matching voltage fan into the U-Ground (120 volt) or Lockable Volex Connector (220-240 volt). It will now vary with the internal fan control.
4. Plug the Hand Remote cable into the rear connector marked remote. Please Note: DMX control will override the hand remote settings. DMX control is indicated when the valid DMX light is solid RED. If the DMX LED is flashing, the unit is in Stand Alone Mode; change the DMX switches to "000" and repower the machine.
5. Plug the unit into a suitable power source. Turn the main power switch on and it will illuminate if power is present. The heat up time is approximately 7 minutes before haze can be produced. The Hand Remote indicates the heating cycle when the haze switch light is flashing. When the unit is ready to haze the light will be solid. A three flash pattern indicates an over temperature error. The rear panel Green LED indicates the same status.
6. The haze rate can be switched on, off and varied by using the Hand Remote controls. Haze output increases as the variflow knob turns clockwise.
7. The assist fan is always on low. Fan speed can be increased by rotating the fan knob clockwise. The fan only speeds up during haze output.
8. The interval knob is used to provide cycled output. It must be set fully counter-clockwise when not in use. The hazer will produce 10 seconds of output at the requested flow spaced by a 1 - 300 seconds interval dependent upon the knob position.

DMX Operation

9. Insert a 2 or 4 Litre jug of Ultratec Special Effects Neutron or Luminous 7 Haze Fluid into the fluid jug holder.
10. Remove the cap and break the foil seal. Insert the fluid pickup tube into the jug and tighten the lid. Ensure the fluid filter located at the end of the tube sits at the lowest end especially if the machine is not mounted level.

11. An optional Versa Fan can be controlled at the same rate as the internal fan. Plug a matching voltage fan into the U-Ground (120 volt) or Lockable Volex Connector (220-240 volt). It will now vary with the internal fan control.
12. Select the desired DMX address for the hazer. Please Note: The hazer occupies two sequential addresses. The selected address is the Haze rate and the selected address + 1 is the fan speed. Control is from 0 - 100% with '0' turning the output off. Insert the DMX line into "DMX in" connector. The fan has a minimum setting and should always run when the power is applied. The fan only speeds up when haze is produced.
13. Plug the unit into a suitable power source. Turn the main power switch on and it will illuminate if power is present. The valid DMX light will be solid when DMX signal is present. The heat up time is approximately 7 minutes before haze can be produced. The Green LED indicates Heating when flashing and Ready when solid. A three flash pattern indicates an over temperature error.
14. 5 Minutes prior to shutting down your Radiance Hazer, move your output valve to "0". Doing this will consume any haze fluid that is still in your distribution feed tubes and processing block. Failure to do so will result in raw fluid being discharged from your output nozzle when you operate it next start-up.



Hand Remote

Maintenance Procedure

For information and instructions regarding the cleaning procedure, please refer to the 'Radiance Hazer Service Manual' located on Radiance product page on www.ultratecfx.com

Warranty

| | |
|-----------------------|--|
| Warranty: | All warranty is for one year parts and labour unless specified or manufacturer defect only. Abuse or Poor Maintenance will not be covered under warranty. Ultratec Special Effects Fluids must always be used. Use of any non Ultratec Special Effects Fluids will void all warranties. Accept no substitutions as there are no exceptions to this rule. Proof of Purchase or Proof of Sale must always accompany any warranty returns. An RA (return authorization) number must be noted on the outside of the box being returned to our facilities. Any packages without a clearly marked RA number will not be accepted by our receiving department. Freight on warranty items are freight prepaid to our facility and we will prepay freight back to your facility after repair by the most economical means available. Should you require the item express-returned, then you are responsible for any difference in freight cost. |
| Return Policy: | Return of any product must be done within 30 days of purchase. The package must be returned freight prepaid and the RA number clearly marked on the outside of the box. Minimum restocking fee is 25%. Once our facility has received the product a technical assessment will be completed to determine if an additional restocking fee needs to be issued. Only credits are issued to the dealers account. Any product not returned within 30 days is considered purchased. |
| Warning: | Ultratec Special Effects Inc. considers all of it's product to be safe for use in the application it was intended. Ultratec Special Effects takes no responsibility for misuse or incorrect use. Always refer to the Product Manual for proper use. |

Contact Information

Head Office

Ultratec Special Effects Inc.
1960 Blue Heron Drive
London, Ontario N6H 5L9

Direct: 519-659-7972
Toll Free: 866-534-5557
Fax: 519-659-7713

Canadian Shipping Address

(For All Canadian Repairs)
Ultratec Special Effects Inc.
1960 Blue Heron Drive
London, Ontario N6H 5L9

USA Shipping Address

(For All USA Repairs)
Ultratec Special Effects Inc.
657 Gadson St, Unit 300
Groveland, Florida 34736

Please remember to include the **RA Number on all items being shipped for repairs.**

To get an RA Number, visit www.ultratecfx.com and click on the "Service" tab and then click on "Master Service Tracker" or contact service at 519-951-3355 / 866.534.5557